

Wizard CompSpec C2 Assembly Instructions



Parts Needed

Bag M

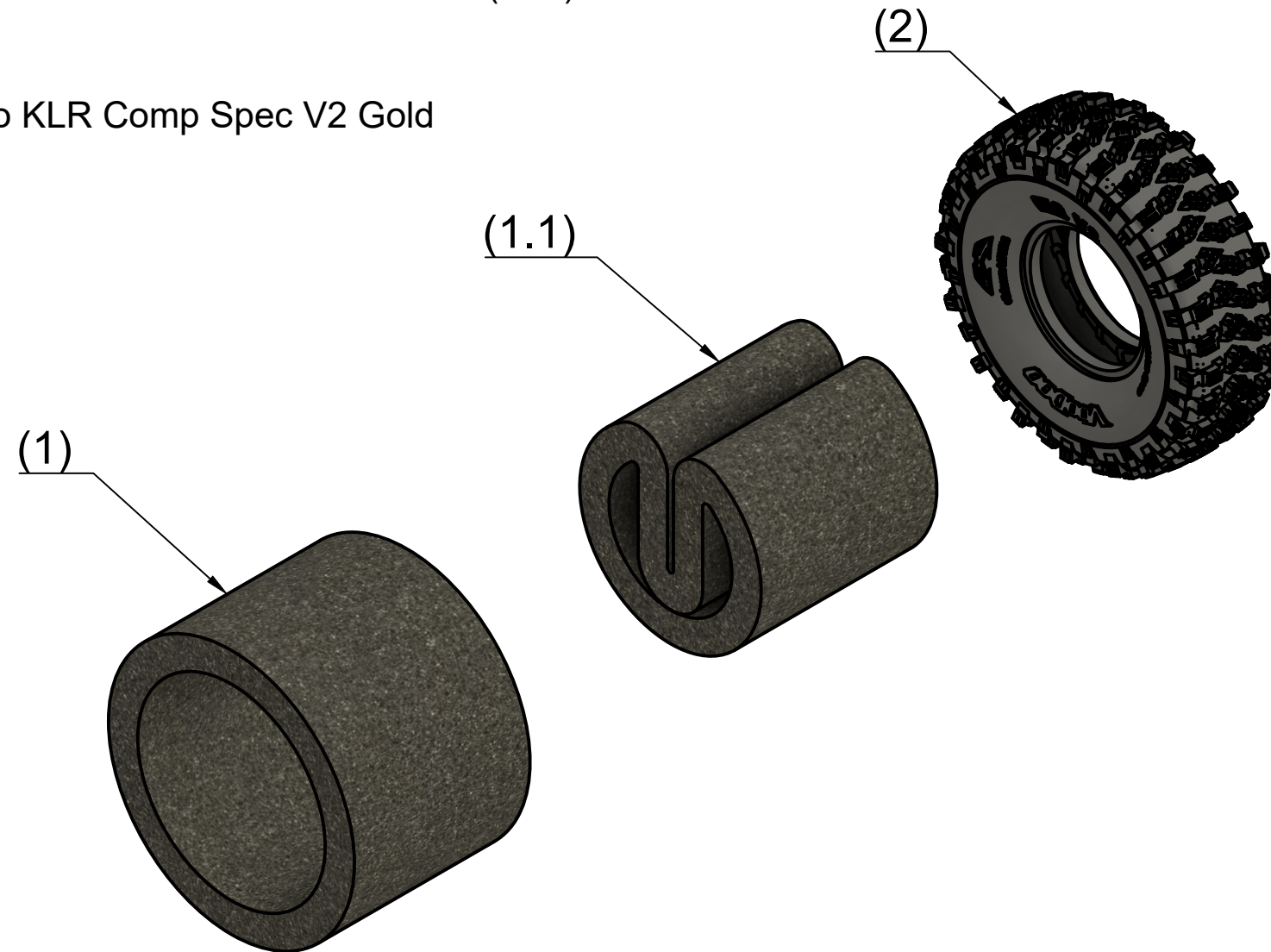
(1) part# ott-hal-1.9-u-ad 1.9 Halo AirDown Series Foam "Ultra AirDown" (front) x1

Bag N

(1) part# ott-hal-1.9-ad 1.9 Halo AirDown Series Foam "AirDown" (rear) x1

Bag O

(2) part# ott-1.9-4.7-klr-v2-g Voodoo KLR Comp Spec V2 Gold Compound tires x4



Step 39

We recommend tires to be vented with 4 or 5 holes evenly spaced on outer circumference of tire.

Take outer foam (1) from package and fold it as shown (1.1) then insert it into tire (2) and seat the foam evenly inside of the tire.

