

Wizard CompSpec C2 Assembly Instructions



Parts Needed

Truck assembly from previous steps

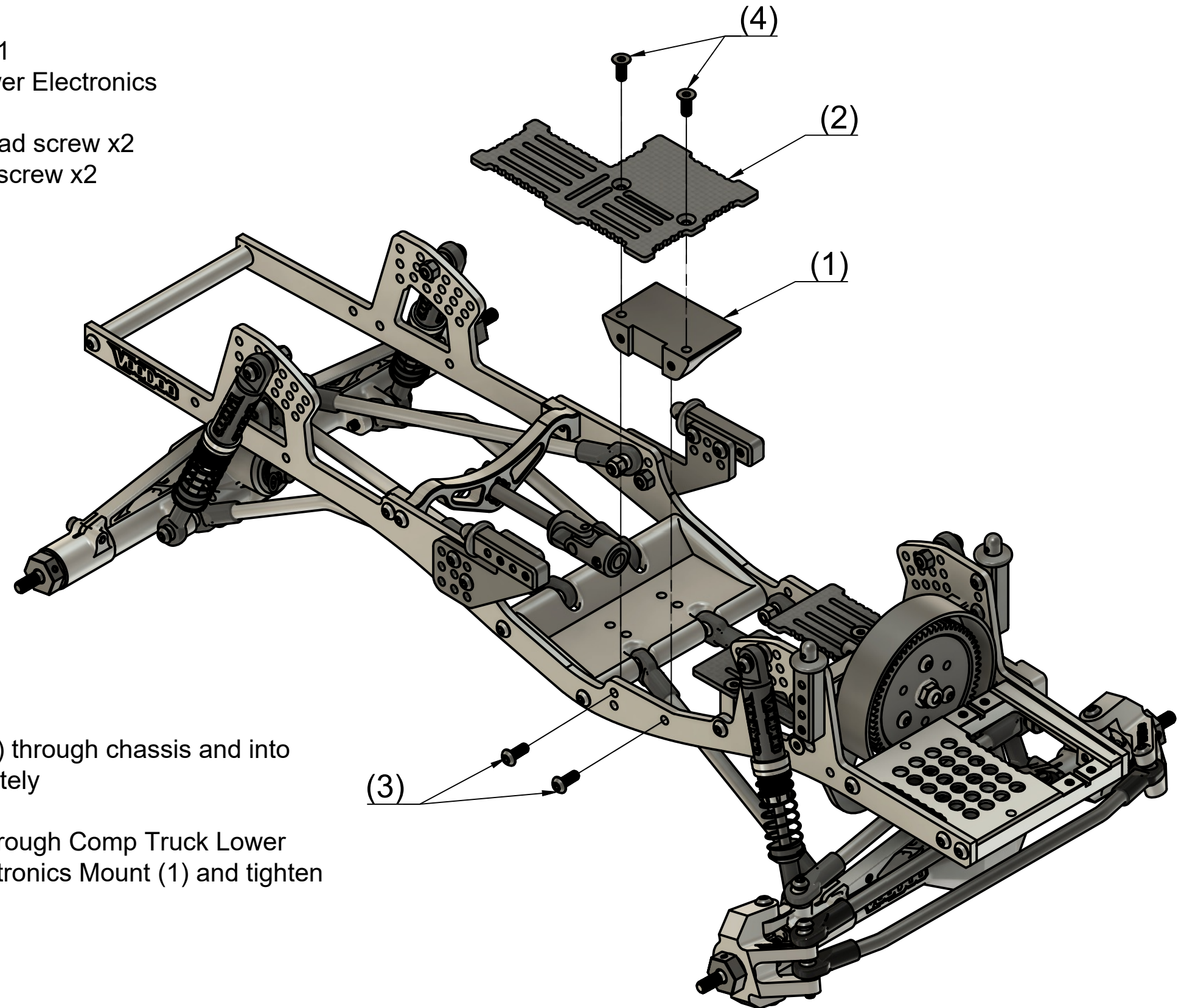
Bag J

(1) part# ott-tko10-099 Small Electronics Mount x1

(2) part# ott-tko10-016 TKO-10 Carbon Fiber Lower Electronics Mount Plate x1

(3) part# ott-tko10-079 M3 x 0.5 x 8mm button head screw x2

(4) part# ott-tko10-088 M3 x 0.5 x 8mm flat head screw x2



Step 33

Insert 2 M3 x 0.5 x 8mm button head screws (3) through chassis and into Small Electronics Mount (1) and tighten completely

Insert 2 M3 x 0.5 x 8mm flat head screws (4) through Comp Truck Lower Electronics Mount Plate (2) and into Small Electronics Mount (1) and tighten completely

