

Wizard CompSpec C2 Assembly Instructions

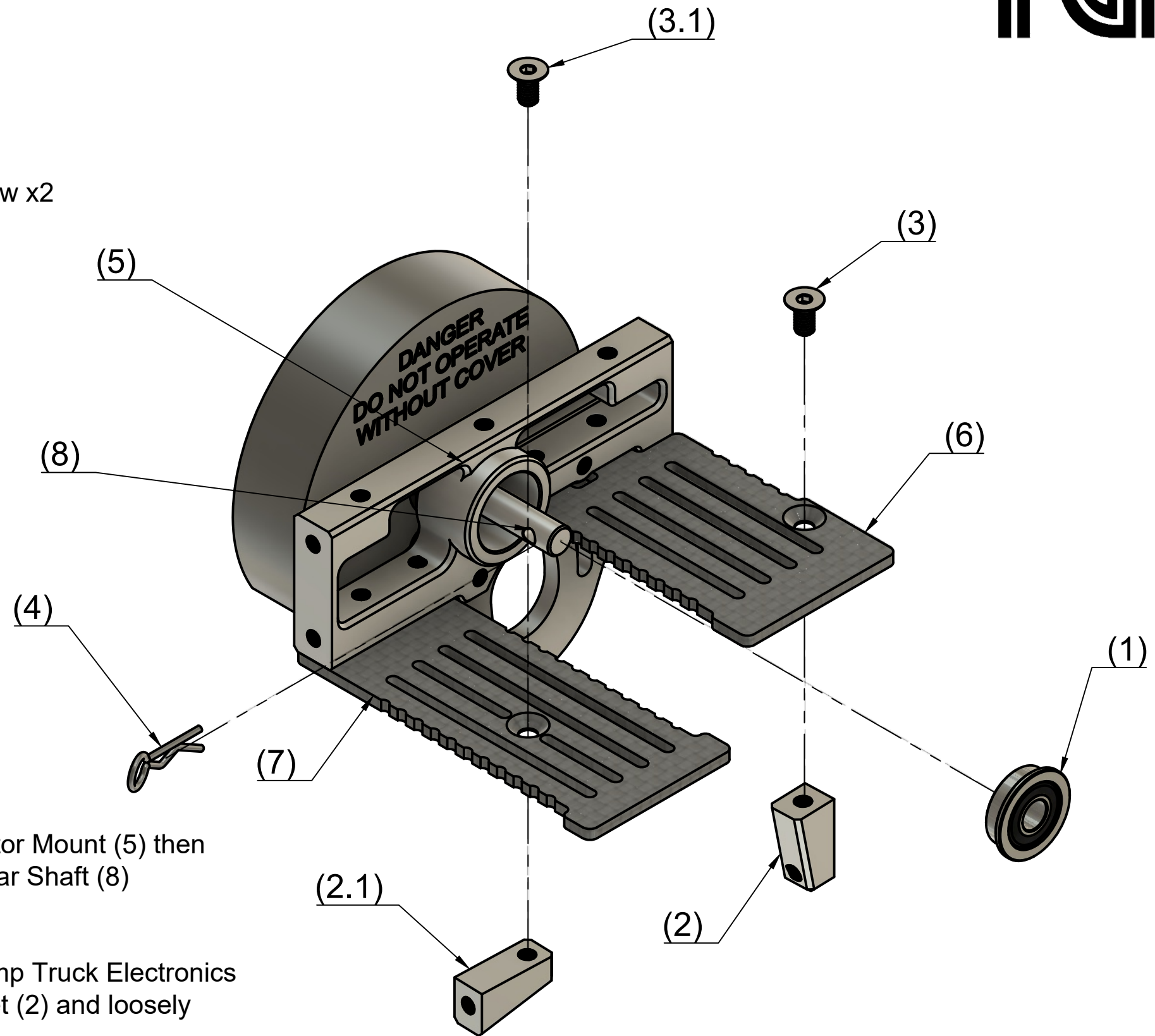


Parts Needed

Forward Motor Mount assembly from previous steps

Bag E

- (1) part# ott-tko10-062 5x13x4mm flanged bearing x1
- (2), (2.1) part# ott-tko10-017 Electronics Mount Bracket x2
- (3), (3.1) part# ott-tko10-087 M3 x 0.5 x 6mm flat head screw x2
- (4) part# ott-tko10-102 Body Clip x1



blue threadlock is recommended on all threads

Step 20

Insert 5x13x4mm flanged bearing (1) into Forward Motor Mount (5) then insert Body Clip (4) into driveshaft pin hole of Spur Gear Shaft (8)

Step 21 (optional)

Insert M3 x 0.5 x 6mm flat head screw (3) through Comp Truck Electronics Plate Right Side (6) and into Electronics Mount Bracket (2) and loosely tighten screw

Step 22 (optional)

Insert M3 x 0.5 x 6mm flat head screw (3.1) through Comp Truck Electronics Plate Left Side (7) and into Electronics Mount Bracket (2.1) and loosely tighten screw

