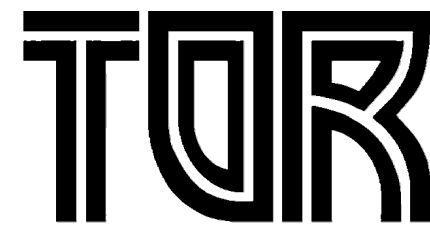


# Wizard CompSpec C2 Assembly Instructions



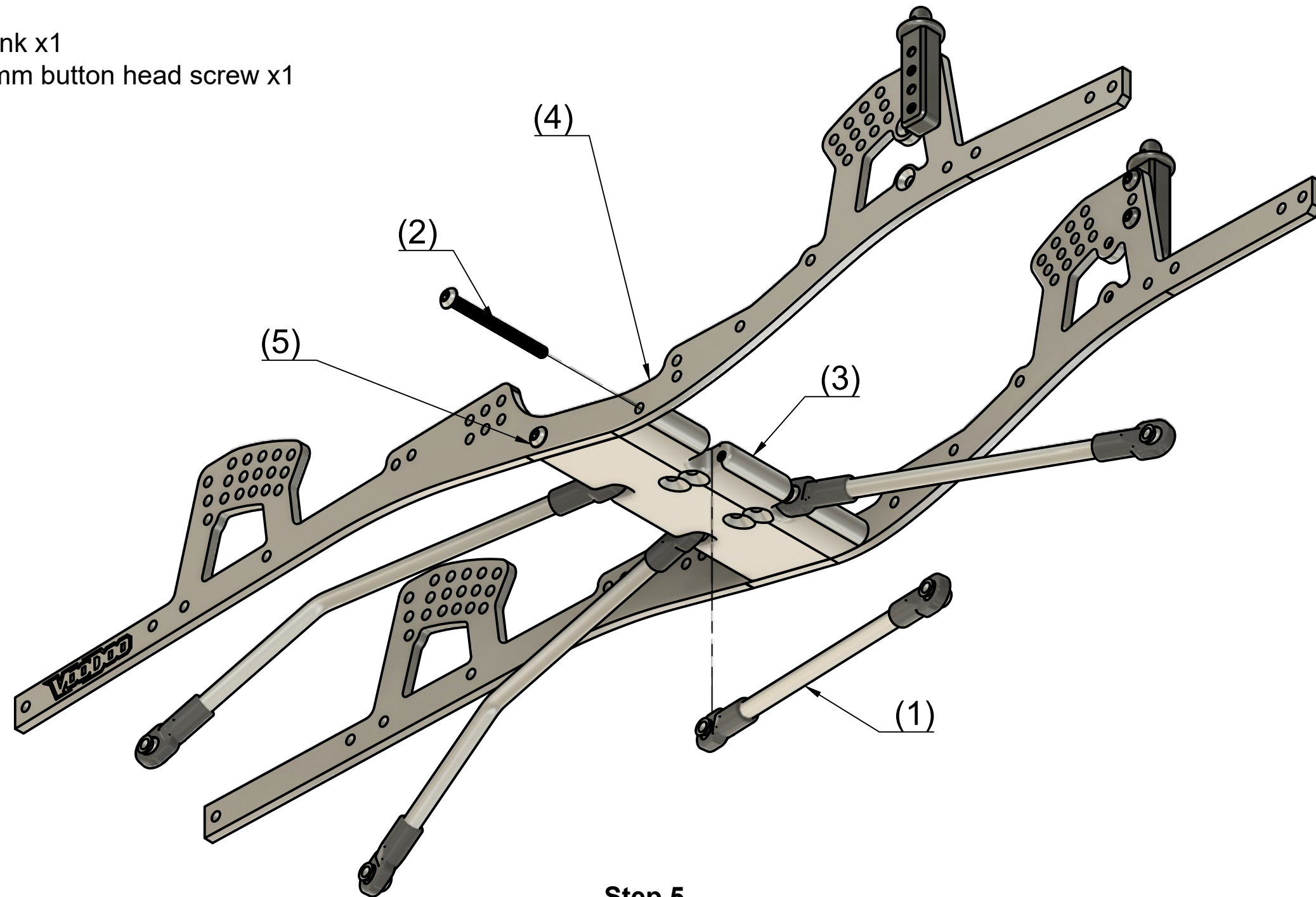
## Parts Needed

Truck assembly from previous steps

### Bag B

(1) part# ott-tko10-019 Front Lower Link x1

(2) part# ott-tko10-086 M3 x 0.5 x 35mm button head screw x1



### Step 5

Insert Front Lower Link (1) into Skid (3)

Insert M3 x 0.5 x 35mm screw (2) through chassis (4) and into Skid (3) then tighten completely

Tighten M3 x 0.5 x 35mm button head screw (5) from step 4

