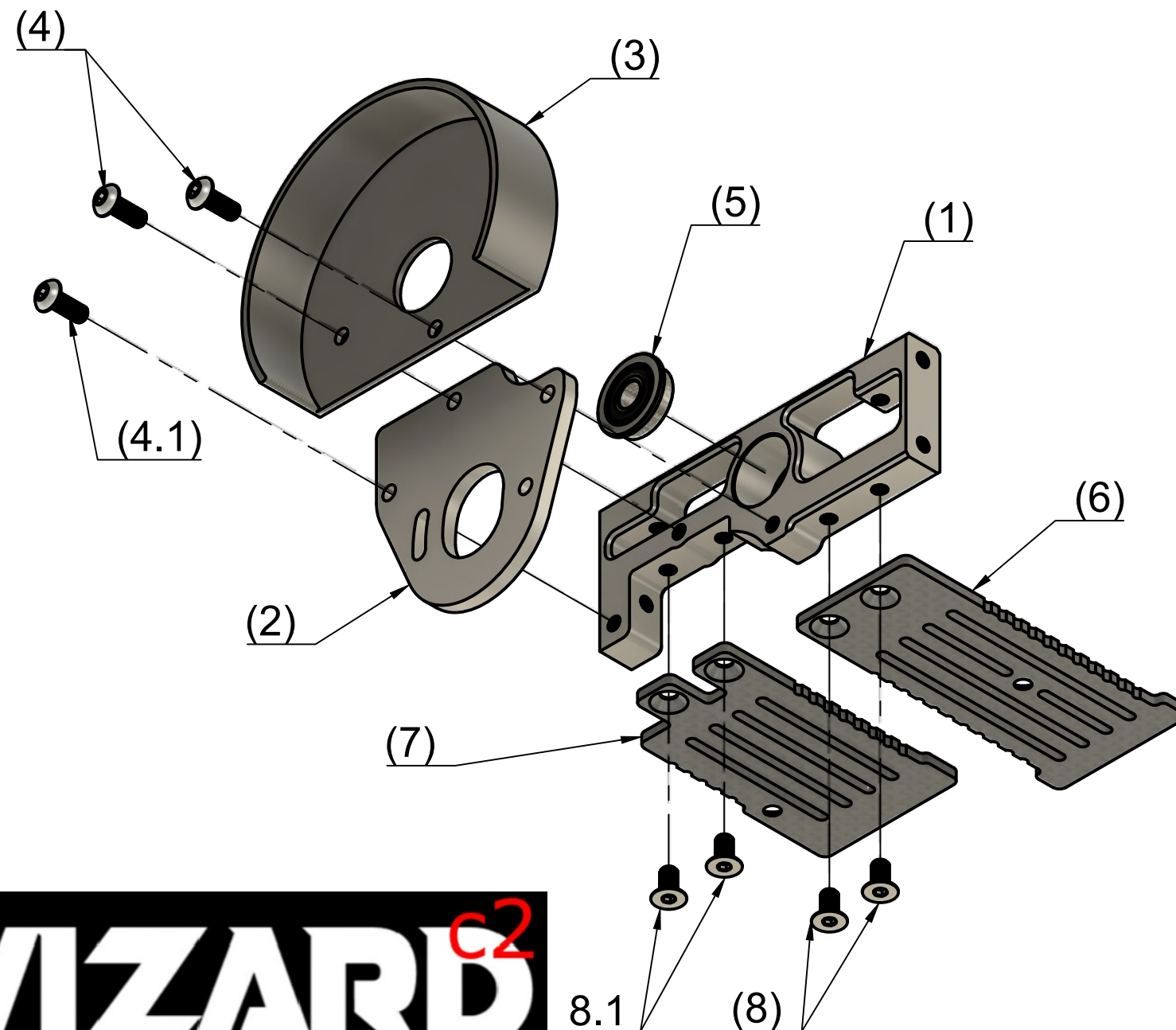


## Parts Needed

### Bag E

- (1) part# ott-tko10-011 Forward Motor Mount x1
- (2) part# ott-tko10-012 Motor Mount Plate x1
- (3) part# ott-tko10-100 Spur Gear Cover x1
- (4),(4.1) part# ott-tko10-079 M3 x 0.5 x 8mm button head screws x3
- (5) part# ott-tko10-062 5x13x4mm flanged bearing x1
- (6) part# ott-tko10-014 Comp Truck Electronics Mount Plate Left Side x1
- (7) part# ott-tko10-015 Comp Truck Electronics Mount Plate Right Side x1
- (8),(8.1) part# ott-tko10-087 M3 x 0.5 x 6mm flat head screw x4



**blue treadlock is recommended on all threads**

### Step 11

Insert 2 M3 x 0.5 x 6mm flat head screws (8) through Comp Truck Electronics Mount Plate Left Side (6) and into Forward Motor Mount (1) and tighten

### Step 12

Insert 2 M3 x 0.5 x 6mm flat head screws (8.1) through Comp Truck Electronics Mount Plate Right Side (7) and into Forward Motor Mount (1) and tighten

### Step 13

Insert 5x13x4mm flanged bearing (5) into Forward Motor Mount Plate (1)

### Step 14

Insert 2 M3 x 0.5 x 8mm button head screws (4) through Spur Gear Cover (3) and Motor Mount Plate (2) into Forward motor Mount (1) and loosely tighten

### Step 15

Insert 1 M3 x 0.5 x 8mm button head screw (4.1) through Motor Mount Plate (2) and into Forward Motor Mount (1) and tighten completely

### Step 16

Tighten the 2 M3 x 0.5 x 8mm button head screws from step 14 (4)