

Wizard CompSpec C2 Assembly Instructions



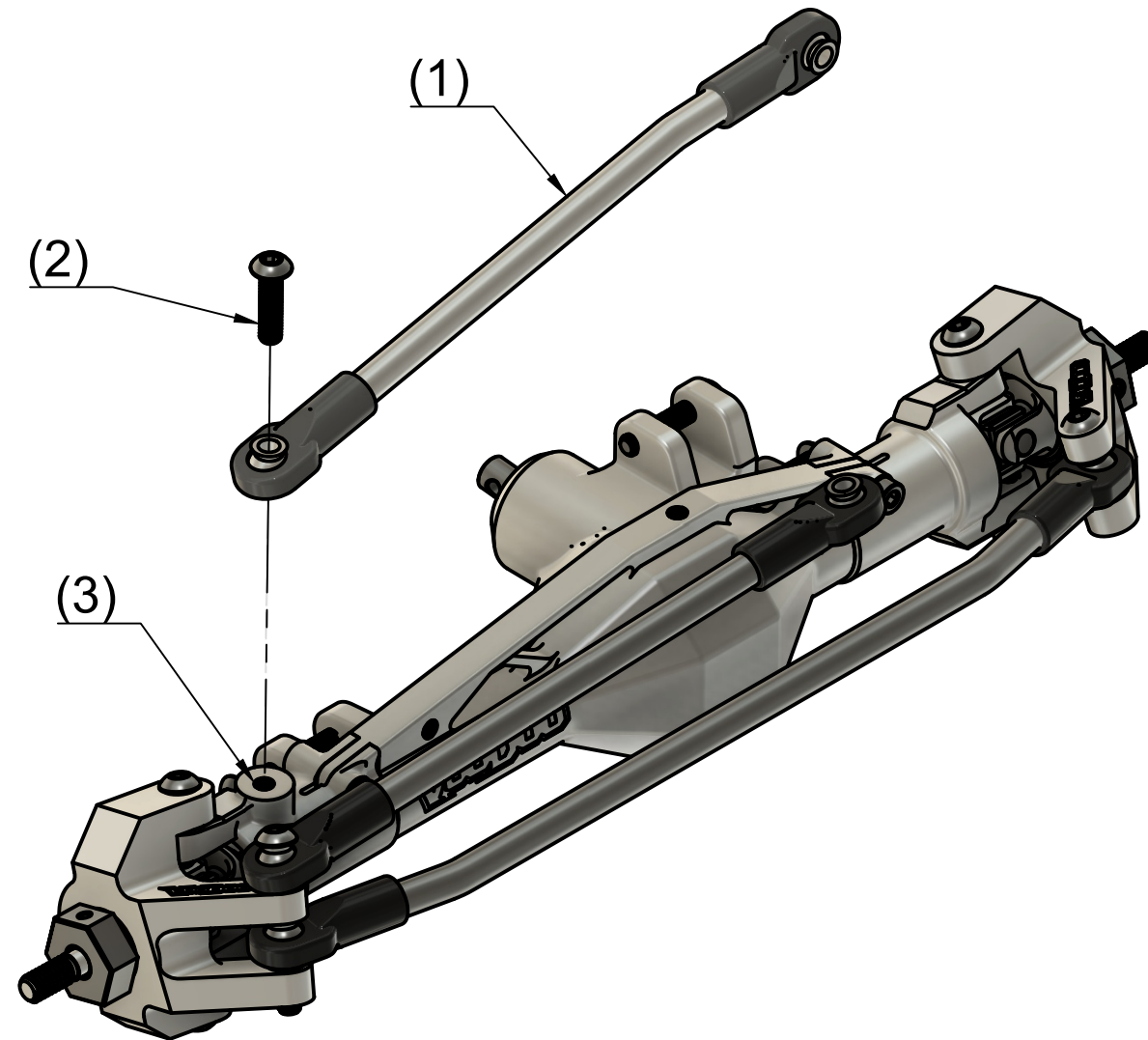
Parts Needed

Truck assembly from previous steps

Bag I

(1) part# ott-tko10-023 Track Bar Link x1

(2) part# ott-tko10-081 M3 x 0.5 x 12mm button head screw x1



Step 32

blue threadlock is recommended on threads

Insert M3 x 0.5 x 12mm button head screw (2) through Track Bar Link (1) and into track bar mount on front axle (3) and tighten completely

