

# Wizard CompSpec C2 Assembly Instructions

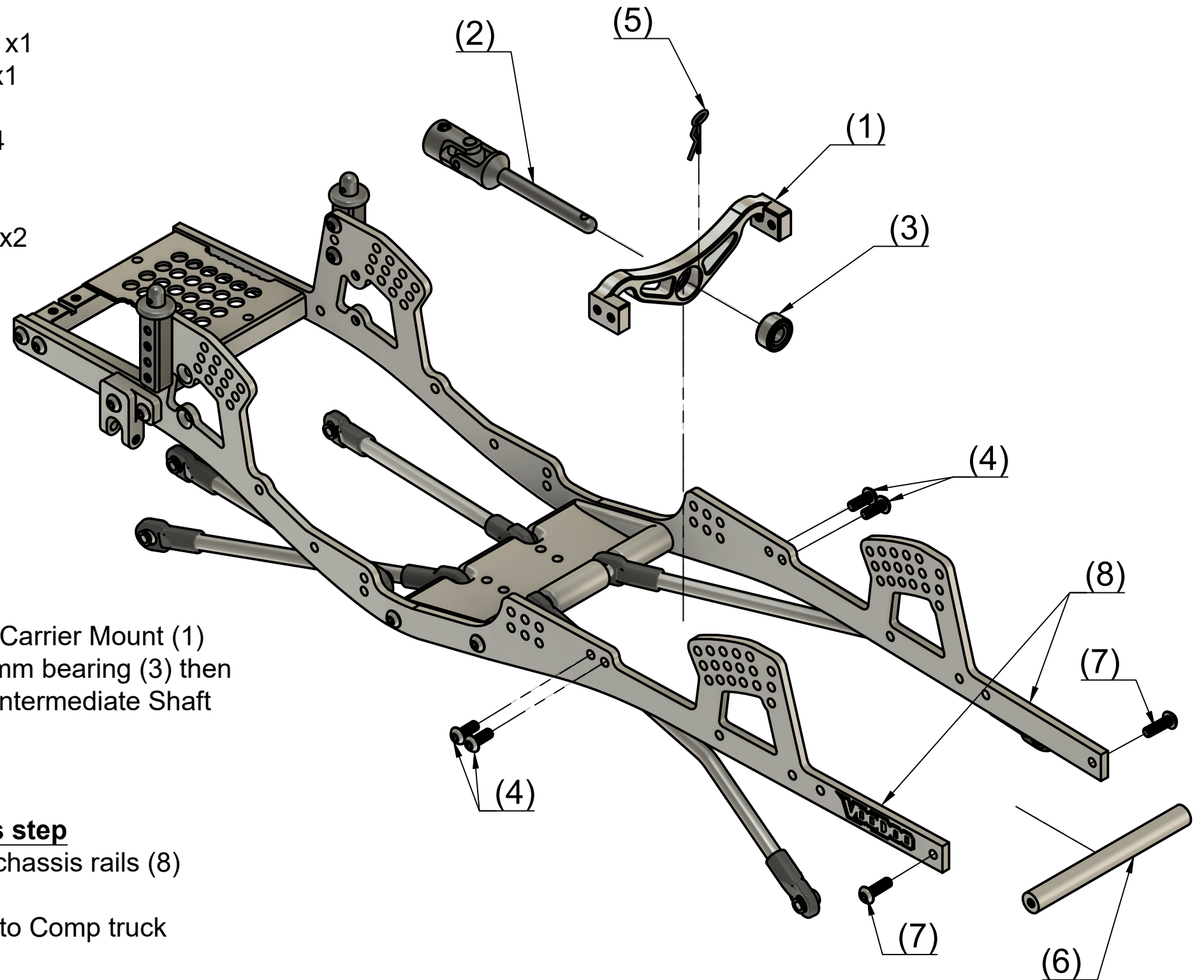


## Parts Needed

Truck assembly from previous steps

### Bag D

- (1) part# ott-tko10-013 Comp Truck Driveshaft Carrier Mount x1
- (2) part#ott-tko10-098 Hero Nano 62mm Intermediate Shaft x1
- (3) part #ott-tko10-063 5x11x5mm bearing x1
- (4) part# ott-tko10-079 M3 x 0.5 x 8mm button head screw x4
- (5) part# ott-tko10-102 Body Clip x1
- (6) part# ott-tko10-007 Chassis Spacer x1
- (7) part# ott-tko10-080 M3 x 0.5 x 10mm button head screw x2



### Step 7

Insert 5x11x5mm bearing (3) into Comp Truck Driveshaft Carrier Mount (1) then insert Halo Nano Intermediate Shaft (2) into 5x11x5mm bearing (3) then insert Body Clip (5) into driveshaft pin hole in Halo Nano Intermediate Shaft (2)

### Step 8

**blue threadlock is recommended on all threads in this step**

Insert Comp Truck Driveshaft Carrier Mount (1) between chassis rails (8)

Insert 4 M3 x 0.5 x 8mm screws (4) through chassis (8) into Comp truck Driveshaft Carrier Mount (1) then tighten completely

### Step 9

Insert Chassis Spacer (6) between chassis rails (8) at rear of chassis

Insert both M3 x 0.5 x 10mm screws (7) through chassis (8) and into Chassis Spacer (6) then tighten completely

