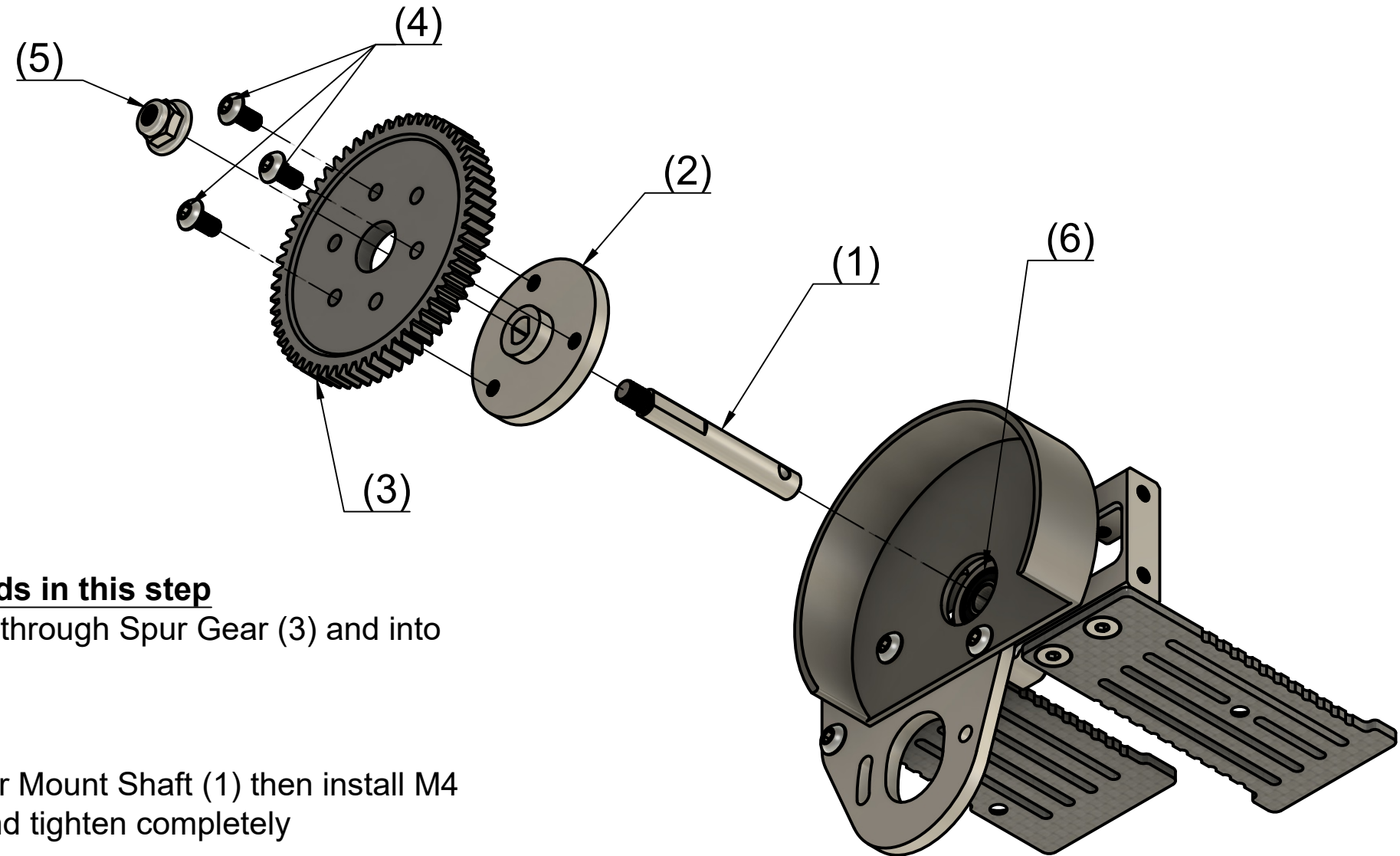


Parts Needed

Forward Motor Mount assembly from previous step

Bag E

- (1) part# ott-tko10-004 Spur Gear Mount Shaft x1
- (2) part# ott-tko10-004 Spur Gear Mount Plate x1
- (3) part# ott-tko10-103 66t 32p Spur Gear x1
- (4) part# ott-tko10-078 M3 x 0.5 x 6mm button head screw x3
- (5) part# ott-tko10-094 M4 nylock nut x1



Step 17

blue threadlock is recommended on all threads in this step

Insert 3 M3 x 0.5 x 6mm button head screws (4) through Spur Gear (3) and into Spur Gear Mount Plate (2) then tighten screws

Step 18

Install Spur Gear Mount Plate (2) onto Spur Gear Mount Shaft (1) then install M4 nylock nut (5) onto Spur Gear Mount shaft (1) and tighten completely

Step 19

Insert spur gear assembly into bearing (6) on Forward Motor Mount