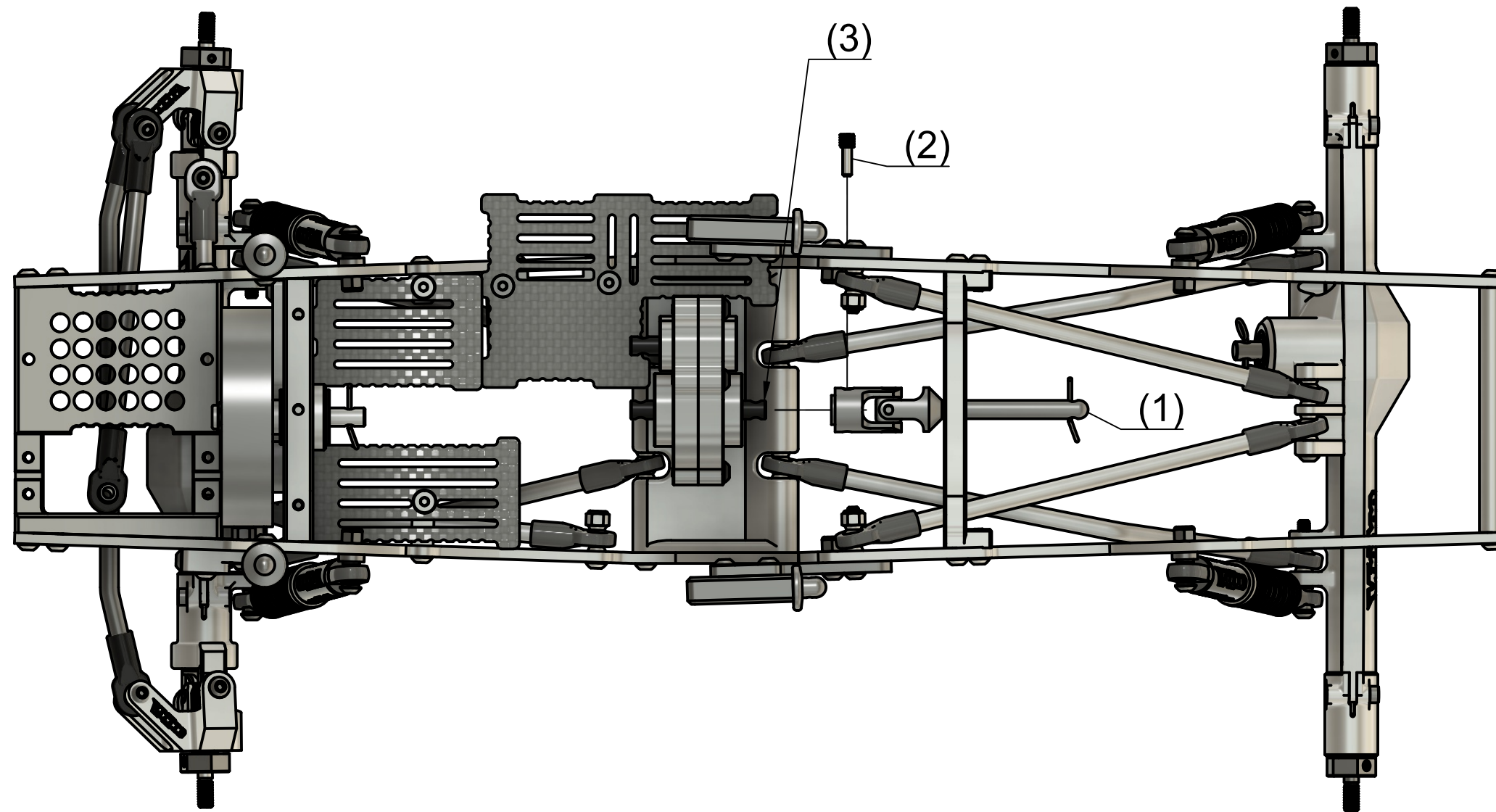


Wizard CompSpec C2 Assembly Instructions



Parts Needed

Truck assembly from previous steps



Step 35

blue threadlock is recommended on threads

Install Hero Nano Intermediate Shaft (1) onto T-Case rear output shaft (3) then install driveshaft pin (2)

