

# Wizard CompSpec C2 Assembly Instructions

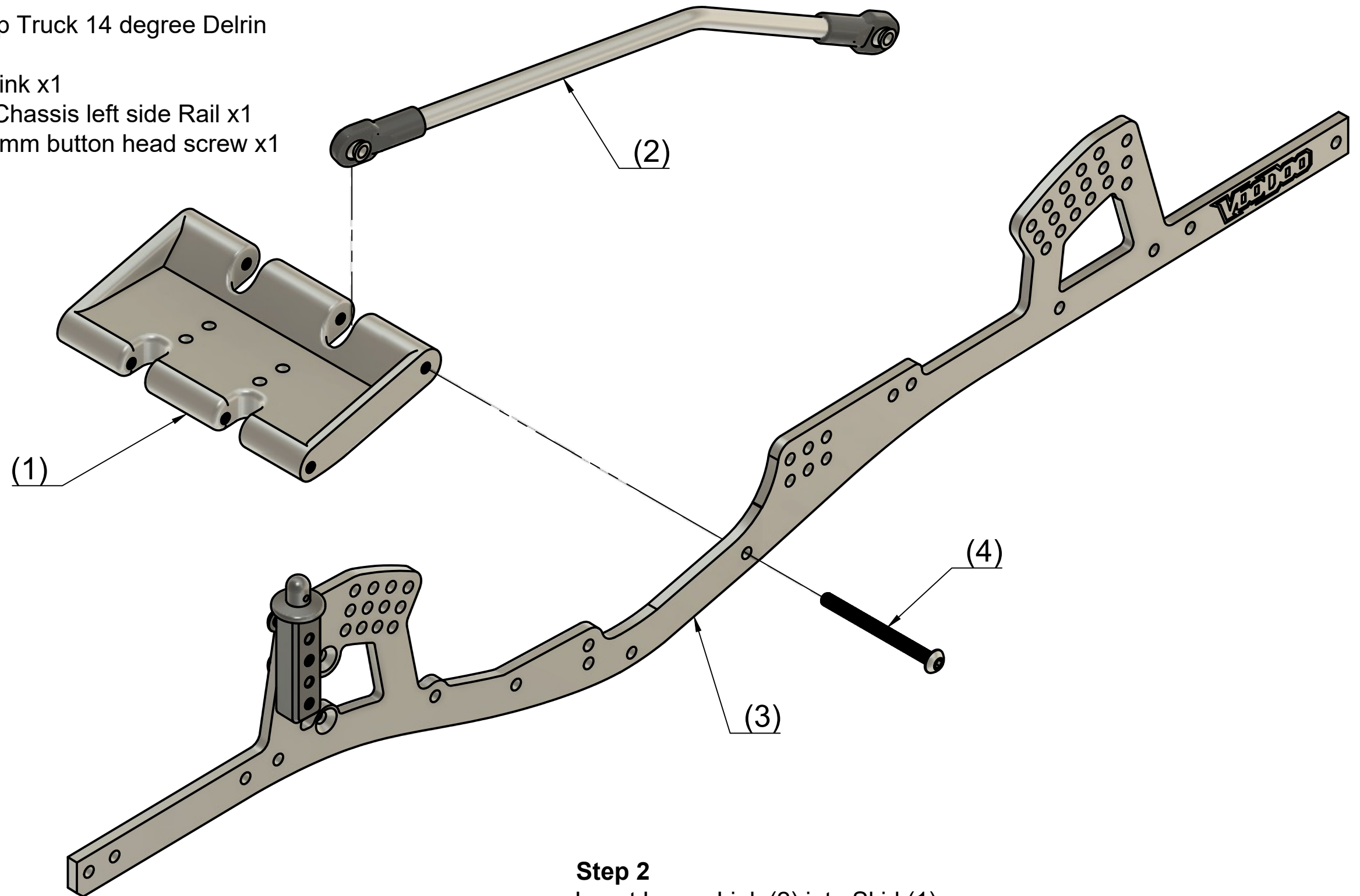


## Parts Needed

Truck assembly from previous step

### Bag B

- (1) part# ott-tko10-001 TKO-10 Comp Truck 14 degree Delrin Skid x1
- (2) part# ott-tko10-021 Rear Lower Link x1
- (3) part# ott-tko10-018 Comp Truck Chassis left side Rail x1
- (4) part# ott-tko10-086 M3 x 0.5 x 35mm button head screw x1



## Step 2

Insert Lower Link (2) into Skid (1)

Insert M3 x 0.5 x 35mm screw (4) into Chassis left side rail (3) and install into rear hole of Skid then loosely tighten screw

