

Wizard CompSpec C2 Assembly Instructions



Parts Needed

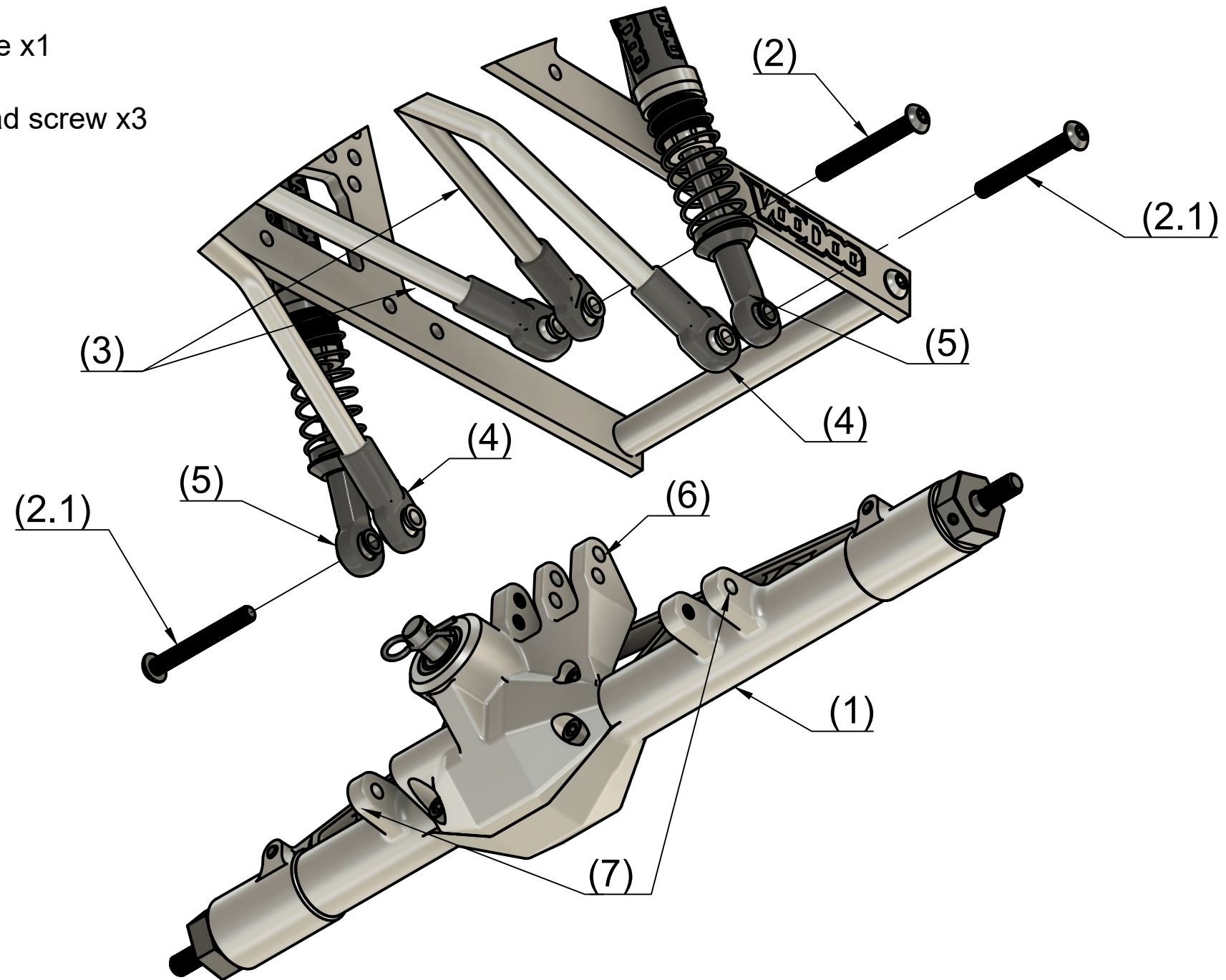
Truck assembly from previous steps

Bag H

(1) part# ott-tko10-076 Wizard TKO-10 Rear Straight Axle x1

or ott-tko10-075 Wizard TKO-10 Rear Portal Axle x1

(2),(2.1) part# ott-tko10-085 M3 x 0.5 x 25mm button head screw x3



Step 29

blue threadlock is recommended on all threads

Insert Rear Upper Links (3) into upper link mounts (6) on rear axle (1) then insert and fully tighten M3 x 0.5 x 25mm button head screw (2)

Insert M3 x 0.5 x 25mm button head screw (2.1) into shock (5), lower link mount on rear axle (7), and Rear Lower Link (4) and fully tighten

