

# Wizard CompSpec C2 Assembly Instructions



## Parts Needed

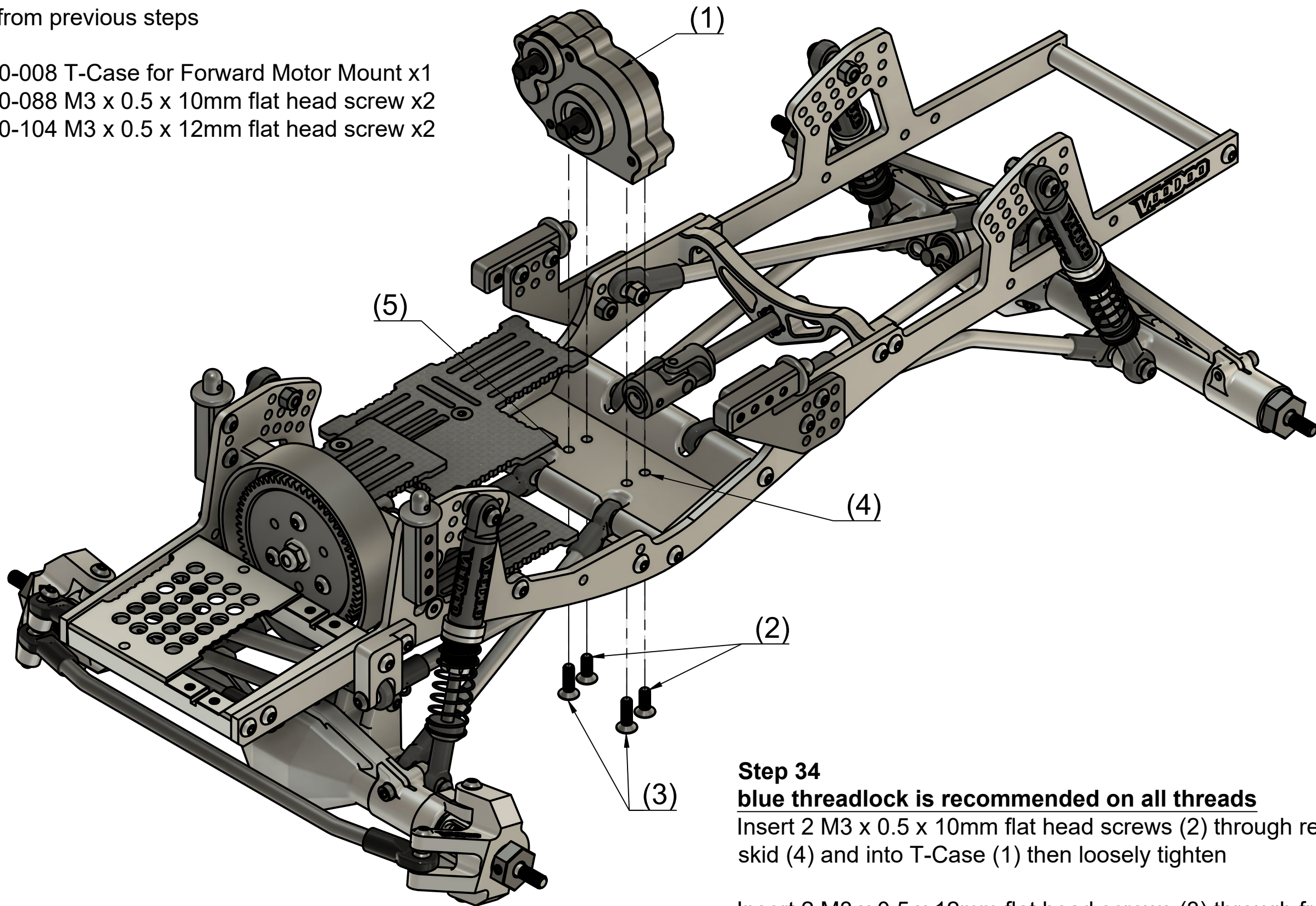
Truck assembly from previous steps

### Bag J

(1) part# ott-tko10-008 T-Case for Forward Motor Mount x1

(2) part# ott-tko10-088 M3 x 0.5 x 10mm flat head screw x2

(3) part# ott-tko10-104 M3 x 0.5 x 12mm flat head screw x2



### Step 34

**blue threadlock is recommended on all threads**

Insert 2 M3 x 0.5 x 10mm flat head screws (2) through rear holes of skid (4) and into T-Case (1) then loosely tighten

Insert 2 M3 x 0.5 x 12mm flat head screws (3) through front holes of skid (5) and tighten into T-Case (1)

Fully tighten M3 x 0.5 x 10mm (2) screws

